

# Global Track Warehouse ---Steel Track Order Form

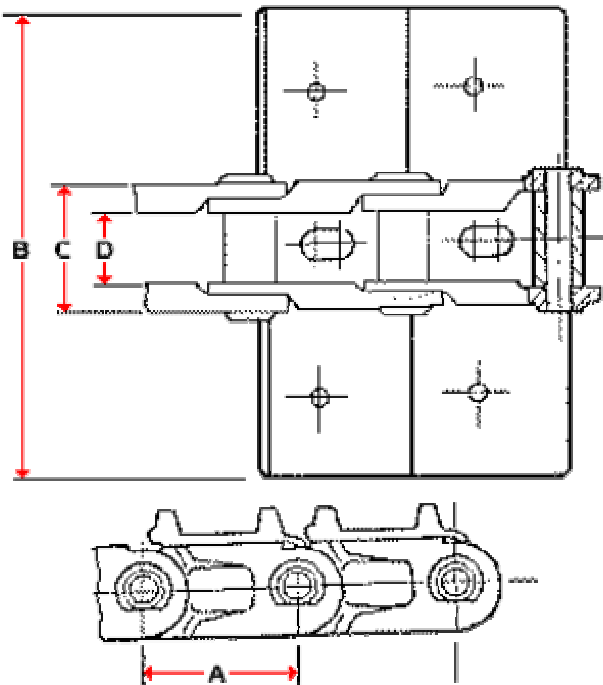
Date:			
Customer Name:			
Company Name:			
Address:			
City:		State:	
Country:		Post / ZIP Code:	
Phone:	( )	Fax:	( )
Email:			
Delivery Address (If different)			

Type of Machinery	(1)Steel Track Loaders (2) Mini-Excavators (3) Skid Steer Loaders (4) Others
Make of Machine	
Model of Machine	
Track Width (mm)-- "B"	
Track Pitch (mm)-- "A"	
Number of Links	
Inner Guide Width (mm)--"D"	
Outer Guide Width (mm)--"C"	
Bolt On link / Weld On Link Type	
Total Quantity Required	

## STEEL TRACK SIZE IDENTIFICATION

Track width (mm) x Track pitch (mm) x inner guide width (mm) x number of links  
 -----"B" x "A" x "D" x "number of links"

A: \_\_\_\_\_ mm (track pitch)      B: \_\_\_\_\_ mm (track width)  
 C: \_\_\_\_\_ mm (outer guide width)      D: \_\_\_\_\_ mm (inner guide width)



<b>GTW Salesperson Use Only</b>	
Salesperson Name:	
GTW Rubber Track Size & Type:	
Unit Weight (Kg / Pound):	
Unit Freight Charge :	
Total Freight Charge:	